

LIGHT EMITTING DIODE SPECIFICATION

DESCRIPTION: E6Z2214CWAY1UDA
REVISION: V2.2
ISSUE DATE: 2019-02-18



湿度敏感元件
Humidity sensitive component

Contains trade secret information which is the property of Ekinglux and shall not be made available to, or copied or used by anyone outside Ekinglux without its written authorization. Copyright © 2017 Ekinglux Optoelectronics Technology Co., Ltd. All rights reserved

Features:

- Long operating life
- Superior thermal performance
- RoHS compliant and Pb free
- ESD protection


Application:

- Spot light
- Down light
- General lighting
- Architectural lighting
- Indoor and Outdoor Commercial lighting
- Special lighting

Part Number	Dice Material	Emitted Color	Lens Color
E6Z2214CWAY1UDA	InGaN	Cool White	Yellow Diffused

Electro-Optical Characteristics (Ta=25°C, @20mA)

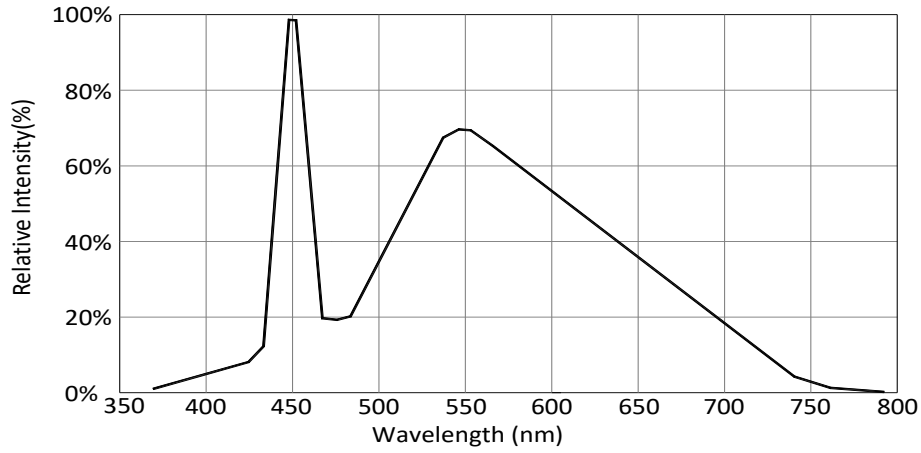
Parameter	Symbol	Min.	Typ.	Max.	Unit
Luminous Intensity	IV	400	-	600	mcd
Forward Voltage	VF	2.90	3.00	3.40	v
Luminous Flux	Φ	1.0	-	2.0	Lm
Color Rendering index	CRI	70	-	-	%
CIE Coordinates CIE	x,y	-	0.29,0.28	-	-
Color Temperature	Tc	7000	-	9000	k
Viewing Angle	2θ1/2	-	120	-	deg
Reverse Current	IR	-	-	10	uA

Absolute Maximum Ratings (Ta=25°C)

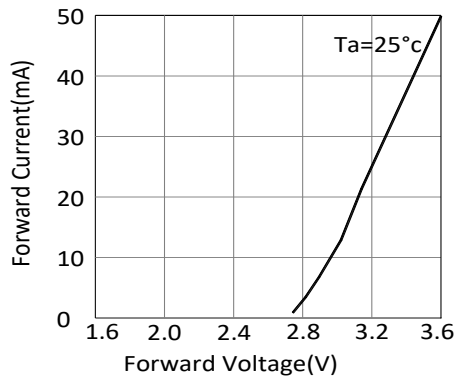
Parameter	Symbol	Max.	Unit
Peak Forward Current(1/10 Duty Cycle, 0.1ms Pulse Width)	IPF	100	mA
Forward Current	IF	20	mA
Reverse Voltage	VR	5	v
Electrostatic Discharge	ESD	2000	v
Operating Temperature Range	Topr	-40to+90	°C
Storage Temperature Range	Tstg	-40to+90	°C
Reflow Soldering	Tsld	260°C for 10secs	

Optical & Electrical Characteristics

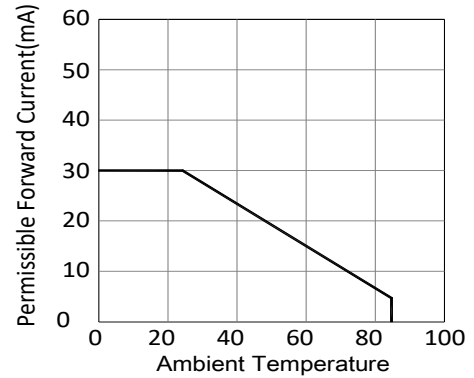
Spectrum



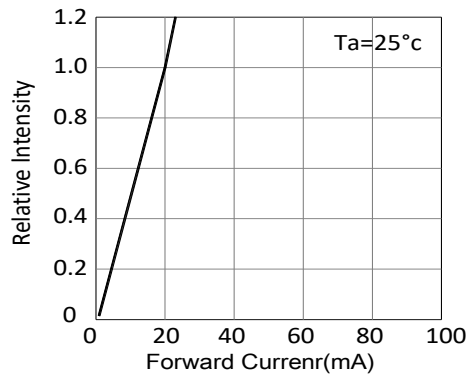
Forward Current vs. Forward Voltage



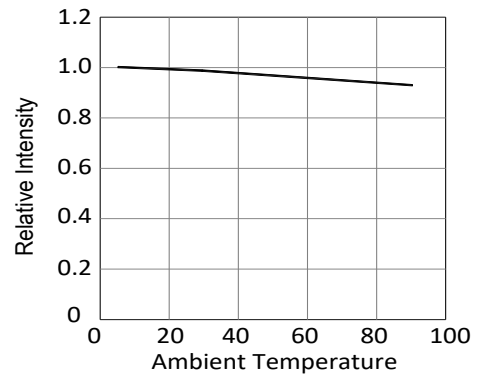
Forward Current vs. Ambient Temperature



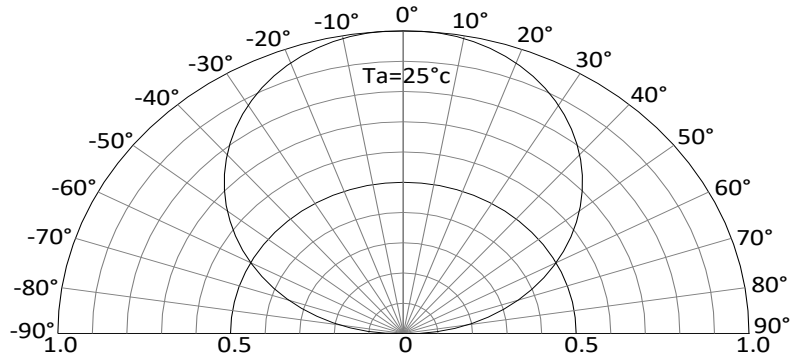
Relative Intensity vs. Forward Current



Relative Intensity vs. Ambient Temperature



Radiation Pattern





Bin Limits

Bin Range Of Luminous Intensity (Unit:mcd)

Bin Code	Min	Max	Condition
L1	400	600	IF=20mA
L2	-	-	
L3	-	-	

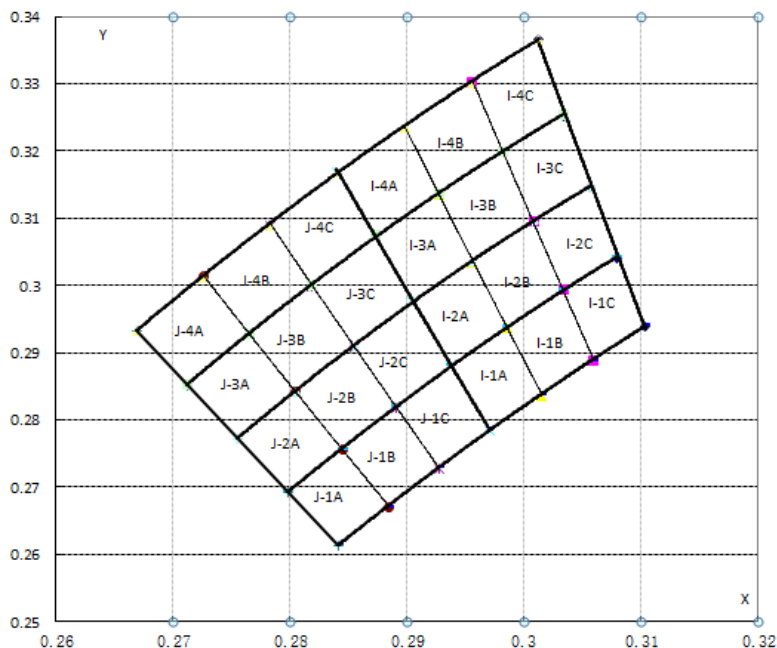
Bin Range Of Forward Voltage (Unit:V)

Bin Code	Min	Max	Condition
V1	2.9	3.0	IF=20mA
V2	3.0	3.1	
V3	3.1	3.2	
V4	3.2	3.3	
V5	3.3	3.4	

Notes:

- 1.Tolerance of Luminous Intensity $\pm 10\%$
- 2.Tolerance of Forward Voltage $\pm 0.1V$

CIE Chromaticity Diagram



Color Bin Limits

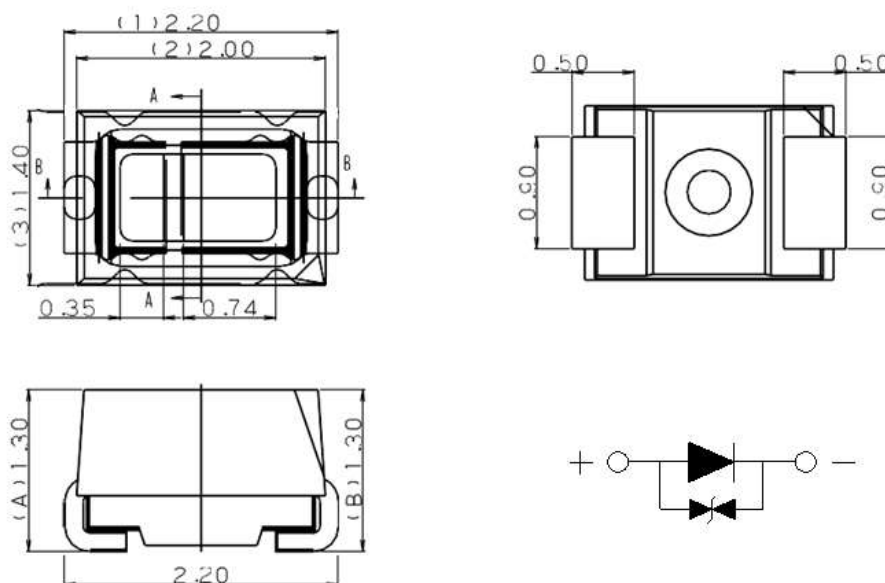
Code	X1	Y1	X2	Y2	X3	Y3	X4	Y4
I-1C	0.3104	0.2941	0.3080	0.3043	0.3034	0.2993	0.3059	0.2889
I-2C	0.3080	0.3043	0.3057	0.3148	0.3008	0.3096	0.3034	0.2993
I-3C	0.3057	0.3148	0.3034	0.3255	0.2982	0.3200	0.3008	0.3096
I-4C	0.3034	0.3255	0.3013	0.3368	0.2956	0.3303	0.2982	0.3200
I-1B	0.3059	0.2889	0.3034	0.2993	0.2986	0.2938	0.3015	0.2838
I-2B	0.3034	0.2993	0.3008	0.3096	0.2956	0.3037	0.2986	0.2938
I-3B	0.3008	0.3096	0.2982	0.3200	0.2927	0.3137	0.2956	0.3037
I-4B	0.2982	0.3200	0.2956	0.3303	0.2898	0.3237	0.2927	0.3137
I-1A	0.3015	0.2838	0.2986	0.2938	0.2938	0.2882	0.2970	0.2786
I-2A	0.2986	0.2938	0.2956	0.3037	0.2905	0.2978	0.2938	0.2882
I-3A	0.2956	0.3037	0.2927	0.3137	0.2873	0.3075	0.2905	0.2978
I-4A	0.2927	0.3137	0.2898	0.3237	0.2840	0.3171	0.2873	0.3075
J-1C	0.2970	0.2786	0.2938	0.2882	0.2891	0.2819	0.2927	0.2729
J-2C	0.2938	0.2882	0.2905	0.2978	0.2855	0.2910	0.2891	0.2819
J-3C	0.2905	0.2978	0.2873	0.3075	0.2819	0.3001	0.2855	0.2910
H-1A	0.3080	0.3043	0.3104	0.2941	0.3148	0.2982	0.3130	0.3090

Reliability Test Items And Conditions

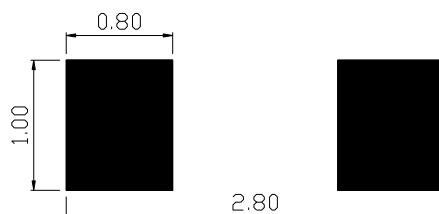
Test Items	Reference	Test Conditions	Time	Quantity	Criterion
Thermal Shock	MIL-STD-202G	-40°C (30min) -100°C (30min)	100 Cycles	22	0/22
Temperature And Humidity Cyclic	JEITA ED-4701 200 203	-10°C~65°C ; 0%~90%RH	10cycles	22	0/22
High Temperature Storage	JEITA ED -4071 200 201	Ta=100°C	1000H	22	0/22
Low Temperature Storage	JEITA ED -4071 200 202	Ta=-40°C	1000H	22	0/22
High Temperature High Humidity Storage	JEITA ED -4071 100 103	Ta=60°C ; RH=90%	1000H	22	0/22
High Temperature Life Test	JESD22-A108D	Ta=80°C	1000H	22	0/22
Life Test	JESD22-A108D	Ta=25°C IF=20mA	1000H	22	0/22
Resistance to Sodering Heat	GB/T 4937, II , 2.2&2.3	Tsol*=(240±5) °C 10secs	2 times	22	0/22

Criteria For Judging Damage

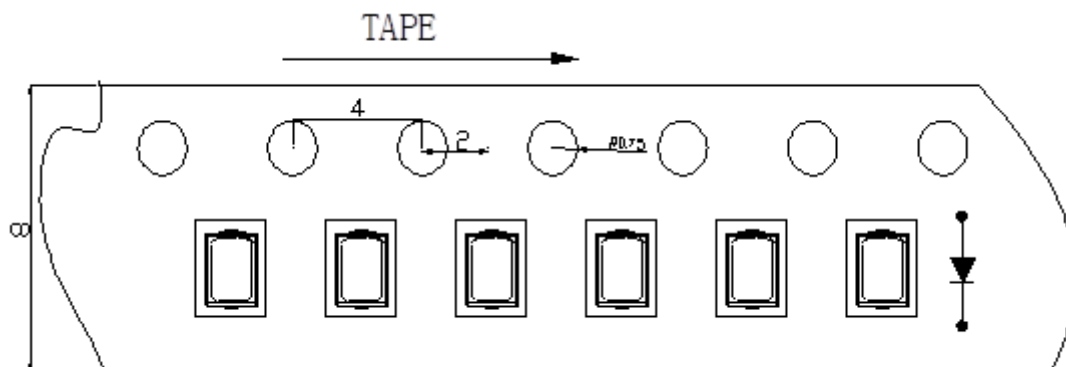
Test Items	Symbol	Test Conditions	Criteria For Judging Damage
Forward Voltage	V _F	I _F =I _{FT}	Initial Data±10%
Recerse Current	I _R	V _R =5V	I _R ≤10uA
Luminous Intensity	I _V	I _F =I _{FT}	Average I _V degradation≤30% ; Single LED I _V degradation≤50%
Resistance to Soldering Heat	-	-	Meterial without internal cracks,no meterial between stripped,no deaded light

Product size (Unit:mm)

NOTES :

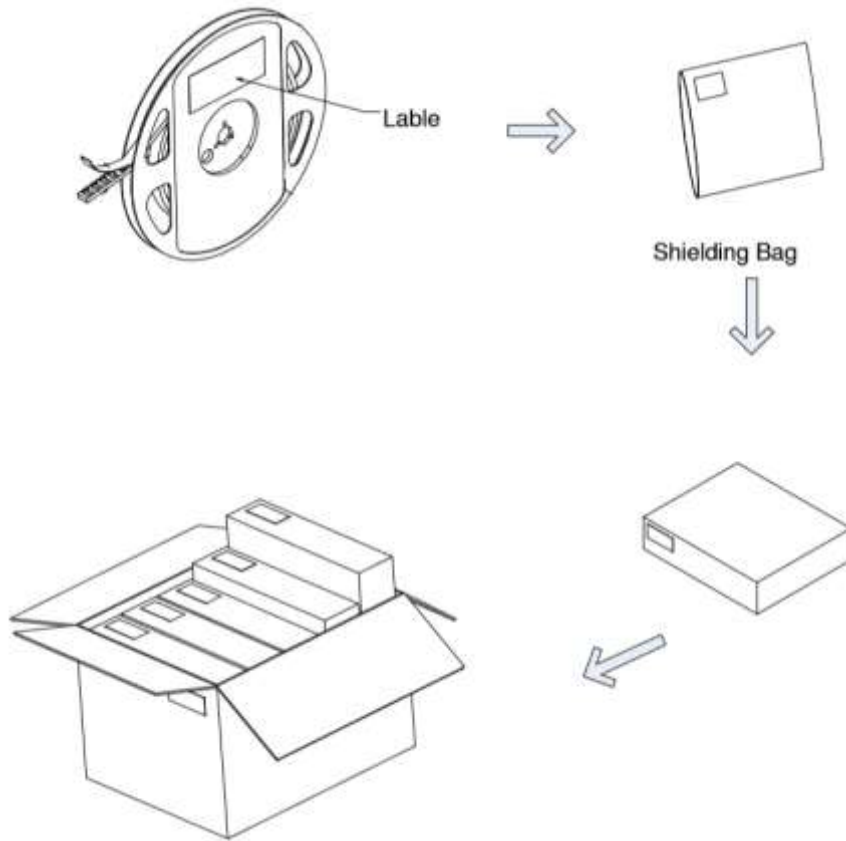
1. All dimensions are in millimeters (inches)
2. Tolerances are $\pm 0.2\text{mm}$ (0.008inch) unless otherwise noted

Recommended Soldering Pad Design (Unit:mm)

Taping and package Spec

- Tape Specification:3,000pcs Per Reel



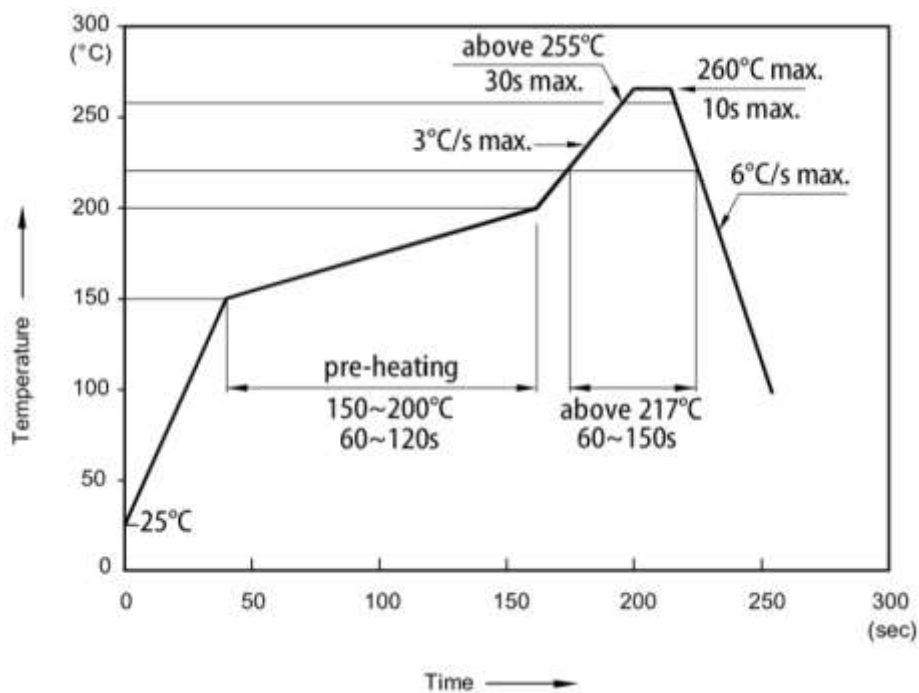
Packaging



LabelStyle



Reflow Soldering Instructions



1. Don't cause stress to the LEDs while it is exposed to high temperature.
2. The maximum number of reflow soldering passes is 2 times.
3. Reflow soldering is recommended. Other soldering methods are not recommended as they might cause damage to the product.

Precautions

1. Storage:

- Moisture proof and anti-electrostatic package with moisture absorbent material is used, to keep moisture to a minimum.
- Before opening the package, the product should be kept at 30°C or less and humidity less than 60% RH, and be used within a year.
- After opening the package, the product should be stored at 30°C or less and humidity less than 10%RH, and be soldered within 24 hours (1day). It is recommended that the product be operated at the workshop condition of 30°C or less and humidity less than 60%RH.
- If the moisture absorbent material has faded away or the LEDs have exceeded the storage time, baking treatment should be performed based on the following condition: (70±5)°C for 24 hours.

2. Static Electricity:

Static electricity or surge voltage damages the LEDs. Damaged LEDs will show some unusual characteristics such as the forward voltage becoming lower, or the LEDs do not light at the low current, even not light.

All devices, equipment and machinery must be properly grounded. At the same time, it is recommended that wrist bands or anti-electrostatic gloves, anti-electrostatic containers be used when dealing with the LEDs.

3. Vulcanization:

LED curing is due to sulfur being in brackets and the +1 price of silver in the chemical reaction generated Ag₂S in the process. It will lead to the capacity of reflecting of silver layer reducing, light color temperature drift and serious decline, seriously affecting the performance of the product. So we should take corresponding measures to avoid vulcanization, such as to avoid using sulphur volatile substances and keeping away from high sulphur content of the material.